
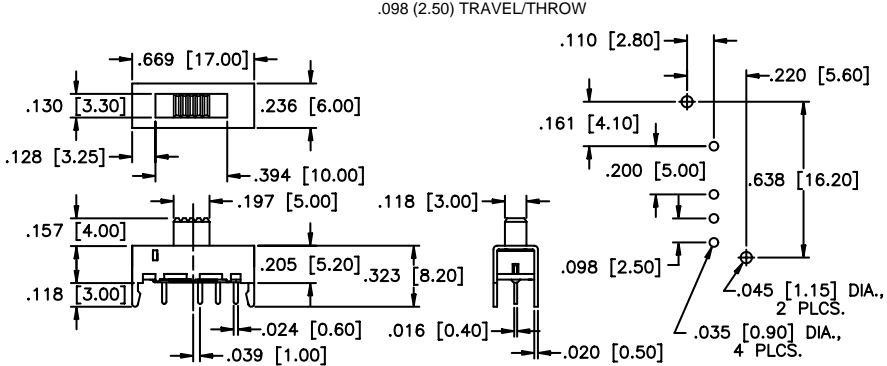


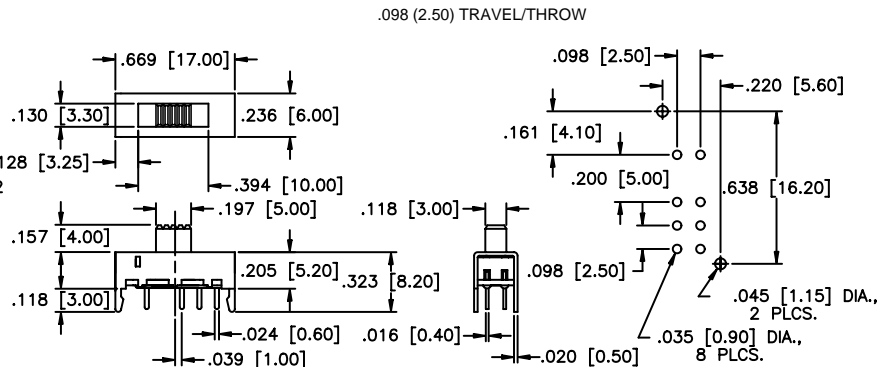


MSTS Series

Miniature Slide Switches

SPECIFICATIONS SUBJECT TO CHANGE WITHOUT NOTICE

SPECIFICATIONS	FEATURES
Contact rating: 300 mA at 28 VDC Initial contact resistance: 20 milliohms max. Insulation resistance: 100 megohms min. at 500 VDC Dielectric strength: 500 VAC for 1 minute Electrical life: 10,000 cycles min. Operating temperature range: -20°C to +85°C Solder heat resistance: 250°C max. for 5 seconds Actuation force: 200-600 grams Solvent washing permissible	<ul style="list-style-type: none"> • Miniature compact size. • Wash-through open frame construction. • Snap-in p.c. mounting bracket design. • Positive spring loaded ball detent mechanism. • Epoxy sealed terminals. • Gold plated contacts available - consult factory.
	MATERIALS
	Contacts & terminals: Silver plated brass Housing: Zinc plated steel Actuator: Polyacetal, color black Base: Phenolic laminated sheet Terminal seal: Epoxy

MODEL NO.			
MSTS1332K			
 <p>VERTICAL ACTUATOR</p>	1P3T	<p>.098 (2.50) TRAVEL/THROW</p>  <p>SCHMATIC MECHANICAL OUTLINE P.C. BOARD LAYOUT</p>	
MODEL NO.			
MSTS2332K			
 <p>VERTICAL ACTUATOR</p>	2P3T	<p>.098 (2.50) TRAVEL/THROW</p>  <p>SCHMATIC MECHANICAL OUTLINE P.C. BOARD LAYOUT</p>	